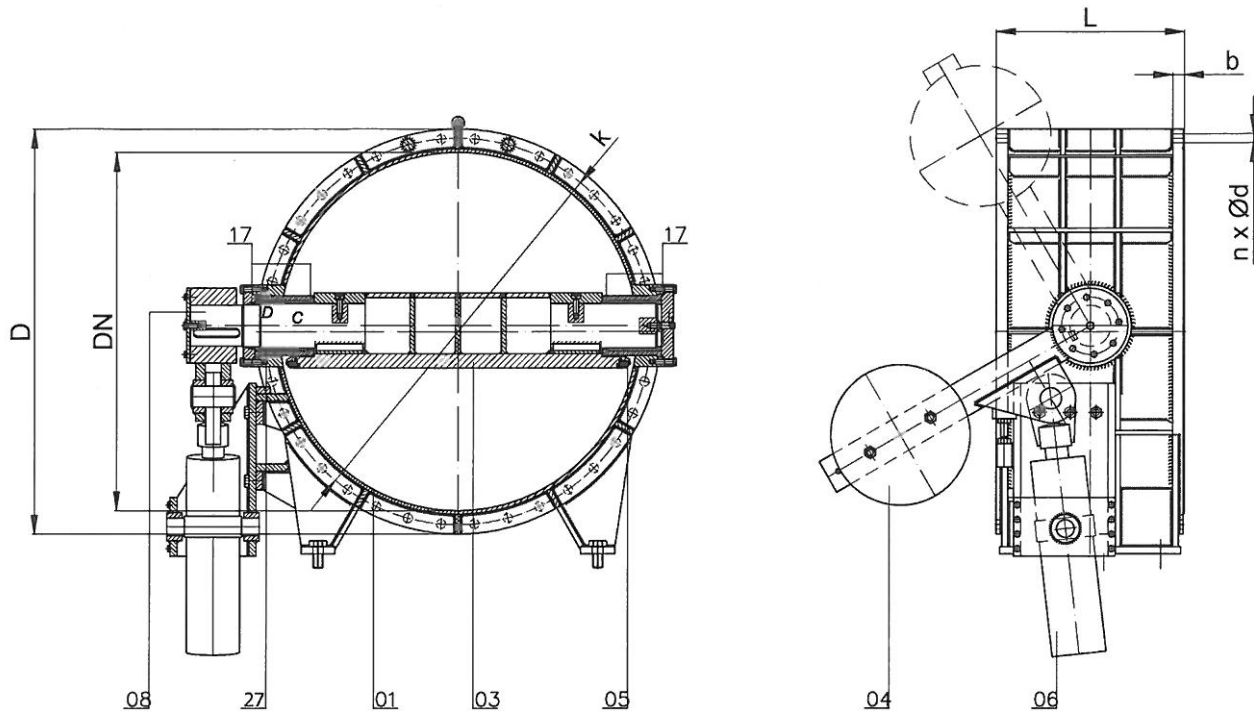


Figure number  
**8.3628**

## FABRICATED STEEL BUTTERFLY VALVES

DOUBLE FLANGED, DOUBLE OFFSET DISC, RUBBER SEAL RING,  
STAINLESS STEEL SEAT, WEIGH LOADED AND HYDR. CYLIDAR

PN16  
70 °C



### APPLICATION AND TESTING

Nominal size	Pressure rating	Allowable working pressure [ bar ] at working temperature	For neutral liquids, gases and vapours	Test pressures [ bar ]	
DN	PN	70 °C		Shell & obturator P10,11,20	Seat tightness P12
400-2000	16	16	Environment temper. up to -10 °C	24	17.6

### DIMENSIONS AND WEIGHTS

DN	L	D	b	k	d	n	G*[kg]
400	310	580	32	525	30	16	475
450	330	640	34	585	30	20	605
500	350	715	34	650	33	20	645
600	390	840	36	770	36	20	820
700	430	910	36	840	36	24	1120
800	470	1025	38	950	39	24	1380
900	510	1125	40	1050	39	28	1720
1000	550	1255	42	1170	42	28	3020
1200	630	1485	48	1390	48	32	3780
1400	710	1685	52	1590	48	36	5590
1500	750	1820	56	1710	56	36	6450
1600	790	1930	58	1820	56	40	6880
1800	870	2130	62	2020	56	44	9290
2000	950	2345	66	2230	62	48	9900