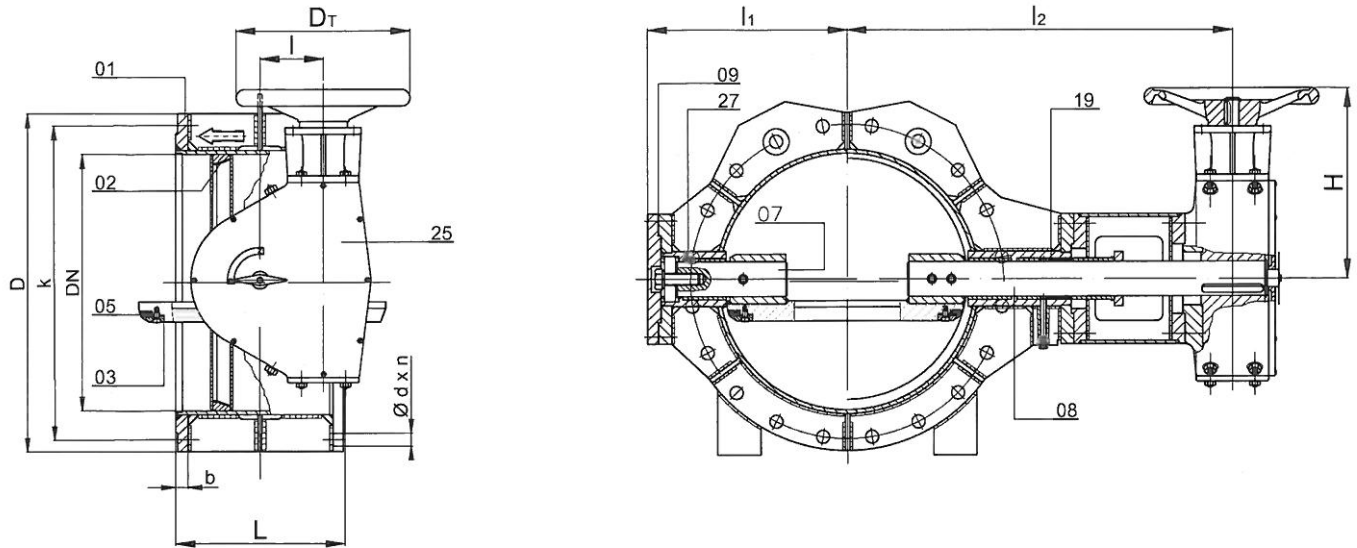


Figure number
6.3654

FABRICATED STEEL BUTTERFLY VALVES

DOUBLE FLANGED PN25, DOUBLE OFFSET DISC, SANDWICH SEAL RING,
STAINLESS STEEL SEAT, WORM GEAR AND HANDWHEEL

PN 25
400°C



APPLICATION AND TESTING

Nominal size DN	Pressure rating PN	Allowable working pressure [bar] at working temperature			For neutral liquids, gases and vapours Environment temper. up to -10 °C	Test pressures [bar]	
		100 °C	200 °C	300 °C		Shell & obturator P10,11,20	Seat tightness P12
200 -1000	25	23,3	19,4	16,1	37,5	27,5	

DIMENSIONS AND WEIGHTS

DN	L	D	b	k	d	n	e	l	l ₁	l ₂	D _T	H*	G*[kg]
200	230	360	30	310	26	12	-	63	280	495	315	250	170
250	250	425	32	370	30	12	-	80	300	530	400	290	230
300	270	485	34	430	30	16	3	80	310	550	400	290	290
350	290	555	38	490	33	16	18	100	335	580	500	350	350
400	310	620	40	550	36	16	30	100	395	680	500	350	450
450	330	670	42	600	36	20	45	125	420	740	630	470	560
500	350	730	44	660	36	20	56	125	490	820	630	470	650
600	390	845	46	770	39	20	90	160	580	940	720	530	920
700	430	960	46	875	42	24	120	200	650	1070	800	670	1300
800	470	1085	50	990	48	24	150	200	730	1160	800	670	1600
900	510	1185	54	1090	48	28	175	250	825	1295	1000	780	2150
1000	550	1320	58	1210	56	28	205	315	910	1410	1000	920	2700

*not obligatory